

HPRC2550W FOR BATTERY DJI MATRICE 300 BAT2550W-04

DIMENSION

internal dimension

513x288x200(mm) - 20.19x11.34x7.87(in)

external dimension

549x346x236(mm) - 21.61x13.62x9.29(in)

WEIGHT

empty: 4,82kg - 10.63lbs

with cubed foam: 5,51kg - 12.15lbs

TEMPERATURE RATING

Minimum

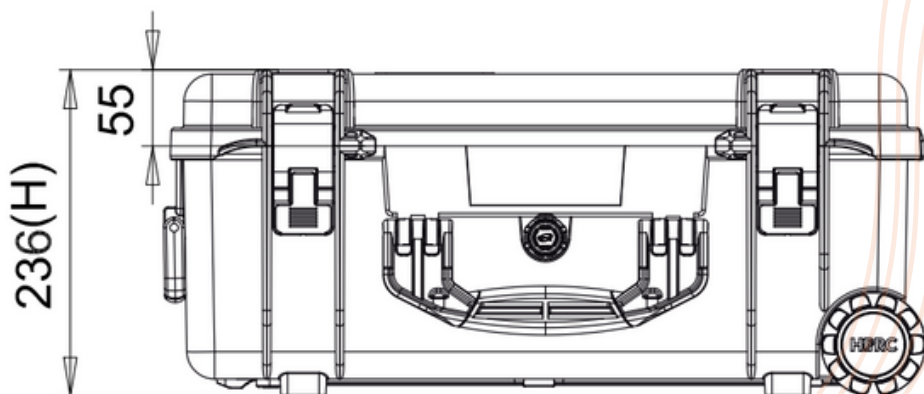
-40°C -40°F

Maximum

+80°C +176°F



TECHNICAL DRAWING



GRIDX
metering and control