

HPRC2760W FOR DJI MATRICE 30T

M30T-2760W-01

DIMENSION

Internal dimension
690x450x301(mm) - 27.16x17.72x11.85(in)

External dimension
750x511x329(mm) - 29.53x20.12x12.95(in)

WEIGHT

empty: 8,93kg - 19.69lbs
with cubed foam: 10,72kg - 23.63lbs

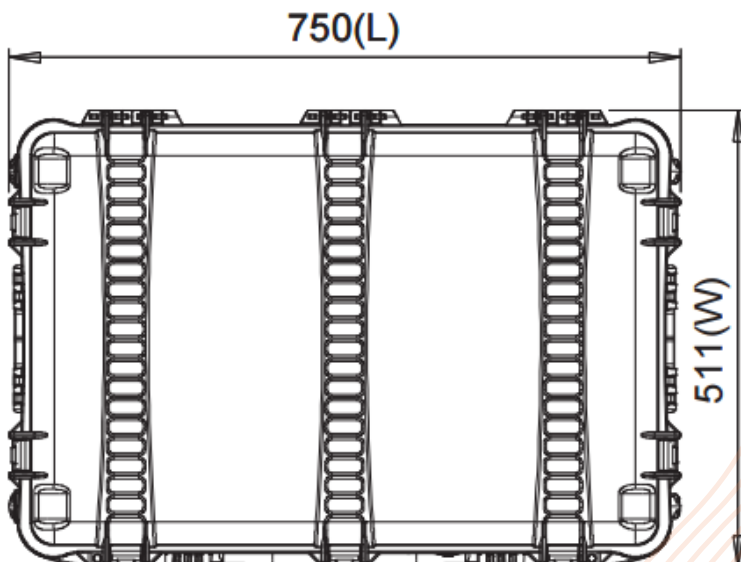
TEMPERATURE RATING

Minimum
-40°C -40°F

Maximum
+80°C +176°F



TECHNICAL DRAWING



GRIDX
metering and control